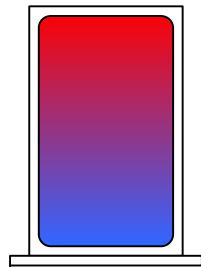




Field Wiring for T-BO-VO-1210-TMV

See reverse for Thermostat Wiring Options

Vitodens
100
Boiler



RT
DHW

Fan Coil 1



Fan Coil 2



High Temp
Thermostat 1
High Temp
Thermostat 2
Thermostat 3
High Temp
Aux Contact 1
High Temp
Aux Contact 2
Boiler demand
24V AC 30VA Max.

X2 X3
N L

Connect to Vitodens
100 120VAC Boiler
pump output



TH
TH-1

TH
TH-2

TH
TH-3

Notes:
This is not an engineered drawing and does not necessarily include all the components for an entire system. It is intended as a representative sample of how the control may be wired for a sample application. It is the responsibility of the installer to seek professional advice and/or install the system to meet all necessary codes for the jurisdiction of the actual installation.

Title

Date:

Drawn:

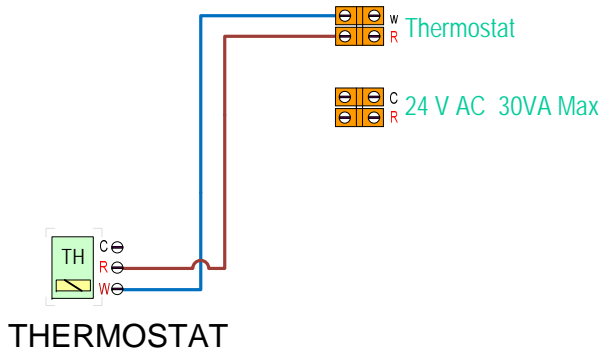


Thermostat Wiring Options

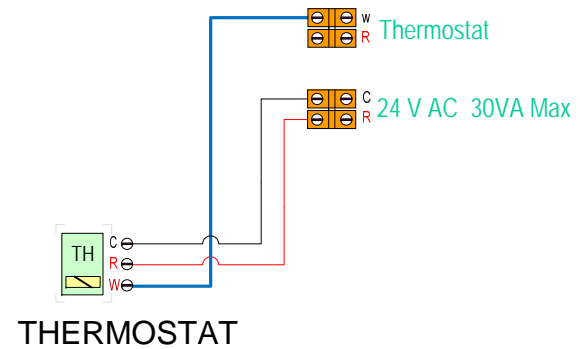


Notes:
 This is not an engineered drawing and does not necessarily include all the components for an entire system. It is intended as a representative sample of how the control may be wired for a sample application. It is the responsibility of the installer to seek professional advice and/or install the the system to meet all necessary codes for the jurisdiction of the actual installation.

2 Wire Thermostat

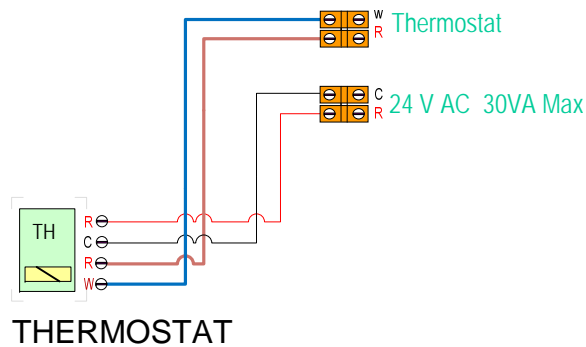


3 Wire Thermostat



See reverse for Thermostat Wiring Options

4 Wire Thermostat



Title

Date:

Drawn:

