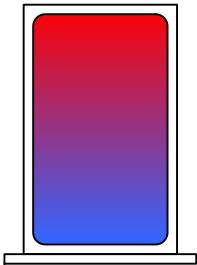




Field Wiring for T-BO-VD-1150ALPHA

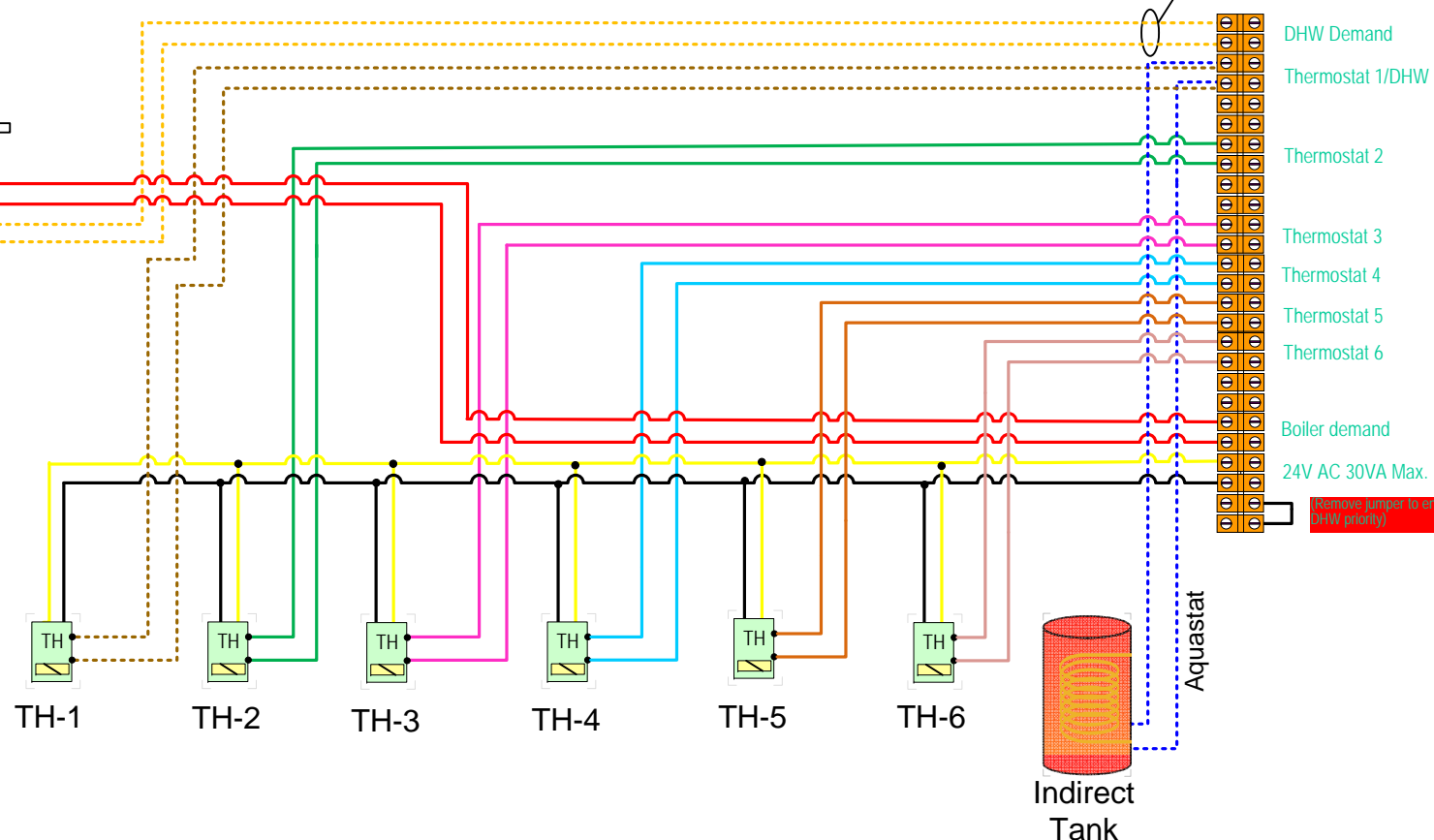
See reverse for Thermostat Wiring Options

Vitodens
100
Boiler



Note: connect only if jumper is removed and DHW is present in system.

RT
DHW



Notes:
This is not an engineered drawing and does not necessarily include all the components for an entire system. It is intended as a representative sample of how the control may be wired for a sample application. It is the responsibility of the installer to seek professional advice and/or install the system to meet all necessary codes for the jurisdiction of the actual installation.

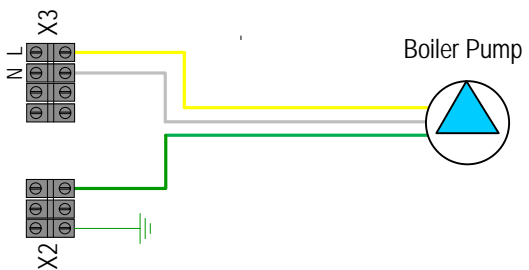
Title

Date:

Drawn:

Note: Optional aquastat connection, remove jumper to enable priority for indirect tank if DHW is used. If no DHW is present leave jumper in and thermostat 1 will be a standard zone.

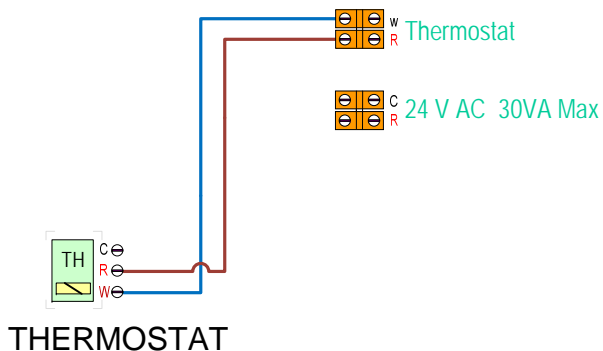
Connect to Vitodens
100 120VAC Boiler
pump output



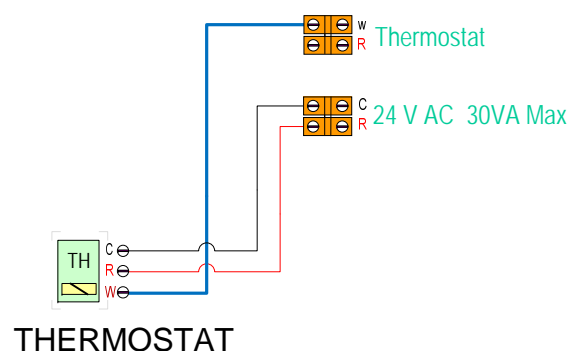


Thermostat Wiring Options

2 Wire Thermostat

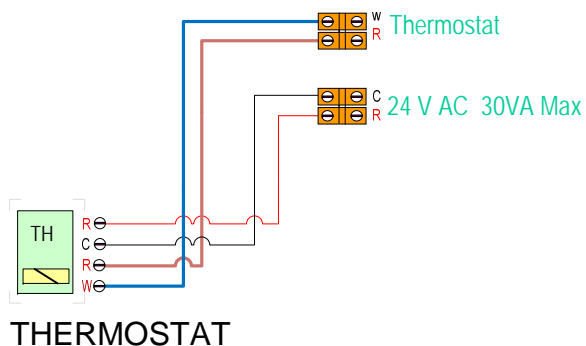


3 Wire Thermostat



See reverse for Thermostat Wiring Options

4 Wire Thermostat



Notes:

This is not an engineered drawing and does not necessarily include all the components for an entire system. It is intended as a representative sample of how the control may be wired for a sample application. It is the responsibility of the installer to seek professional advice and/or install the system to meet all necessary codes for the jurisdiction of the actual installation.

Title

Date:

Drawn:

