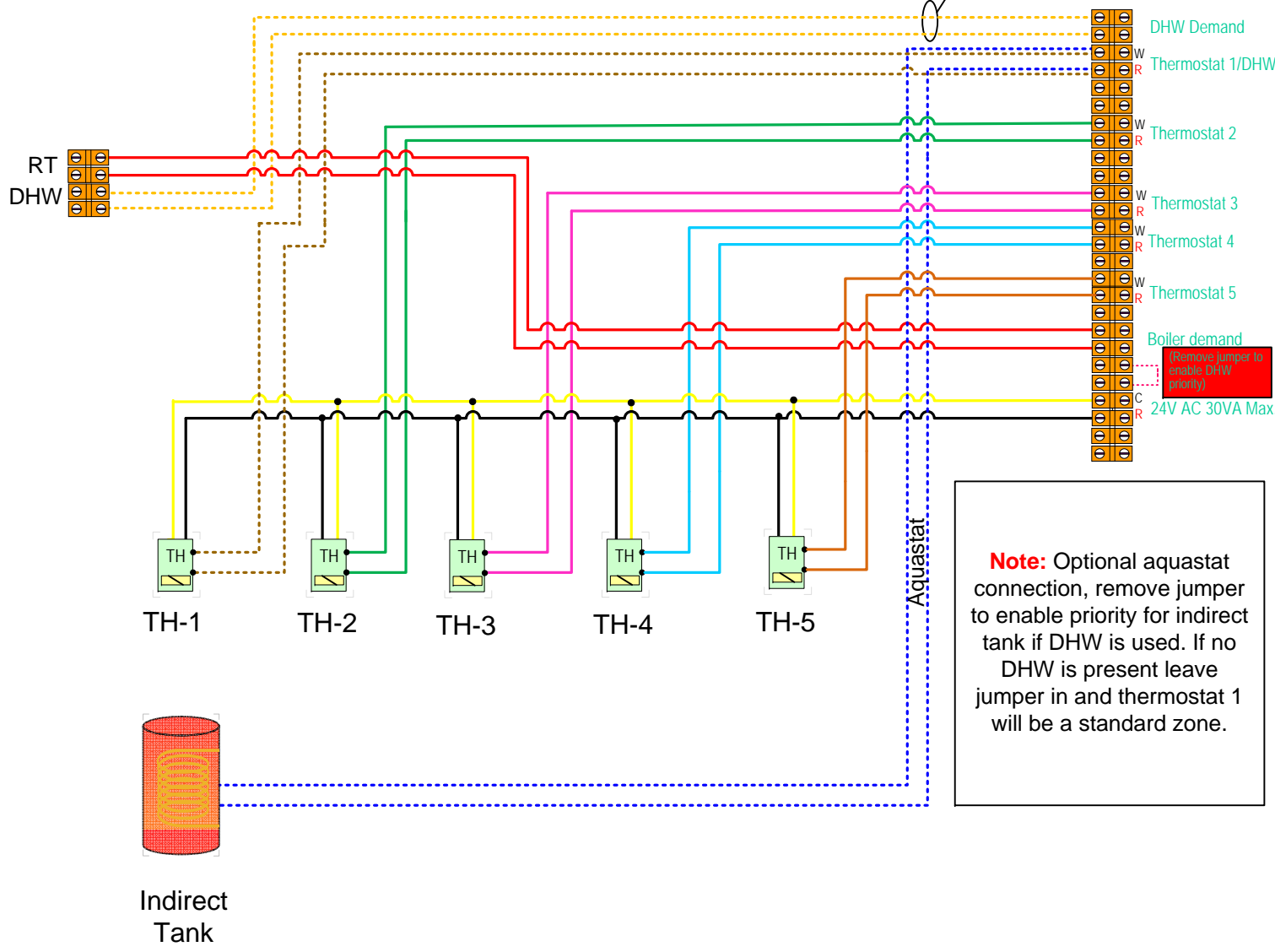
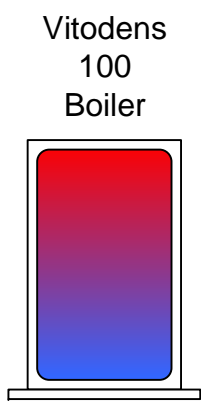


Field Wiring for T-BO-VD-1140 (j)

See reverse for Thermostat Wiring Options



Note: connect only if jumper is removed and DHW is present in system.



Note: Optional aquastat connection, remove jumper to enable priority for indirect tank if DHW is used. If no DHW is present leave jumper in and thermostat 1 will be a standard zone.

Notes:
This is not an engineered drawing and does not necessarily include all the components for an entire system. It is intended as a representative sample of how the control may be wired for a sample application. It is the responsibility of the installer to seek professional advice and/or install the system to meet all necessary codes for the jurisdiction of the actual installation.

Title
T-BO-VD-1140
1 High/DHW
4 Low Temp Zones

Date:

Drawn:

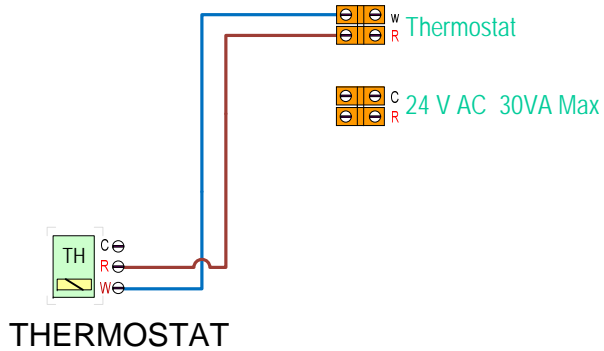


Thermostat Wiring Options

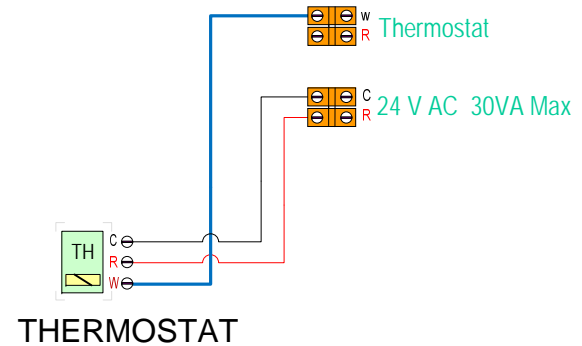


Notes:
 This is not an engineered drawing and does not necessarily include all the components for an entire system. It is intended as a representative sample of how the control may be wired for a sample application. It is the responsibility of the installer to seek professional advice and/or install the the system to meet all necessary codes for the jurisdiction of the actual installation.

2 Wire Thermostat

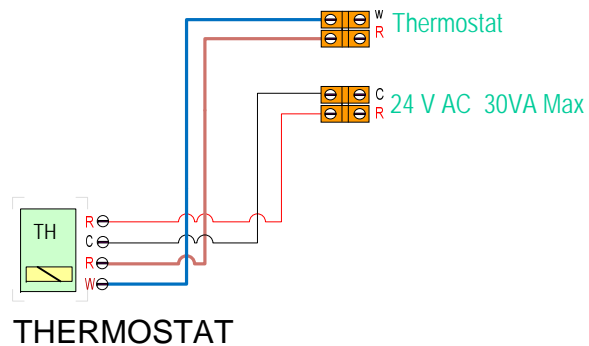


3 Wire Thermostat



See reverse for
Thermostat Wiring Options

4 Wire Thermostat



Title

Date:

Drawn:

