



# Field Wiring for T-BO-VD-1111

## See reverse for Thermostat Wiring Options

Notes:  
This is not an engineered drawing and does not necessarily include all the components for an entire system. It is intended as a representative sample of how the control may be wired for a sample application. It is the responsibility of the installer to seek professional advice and/or install the system to meet all necessary codes for the jurisdiction of the actual installation.

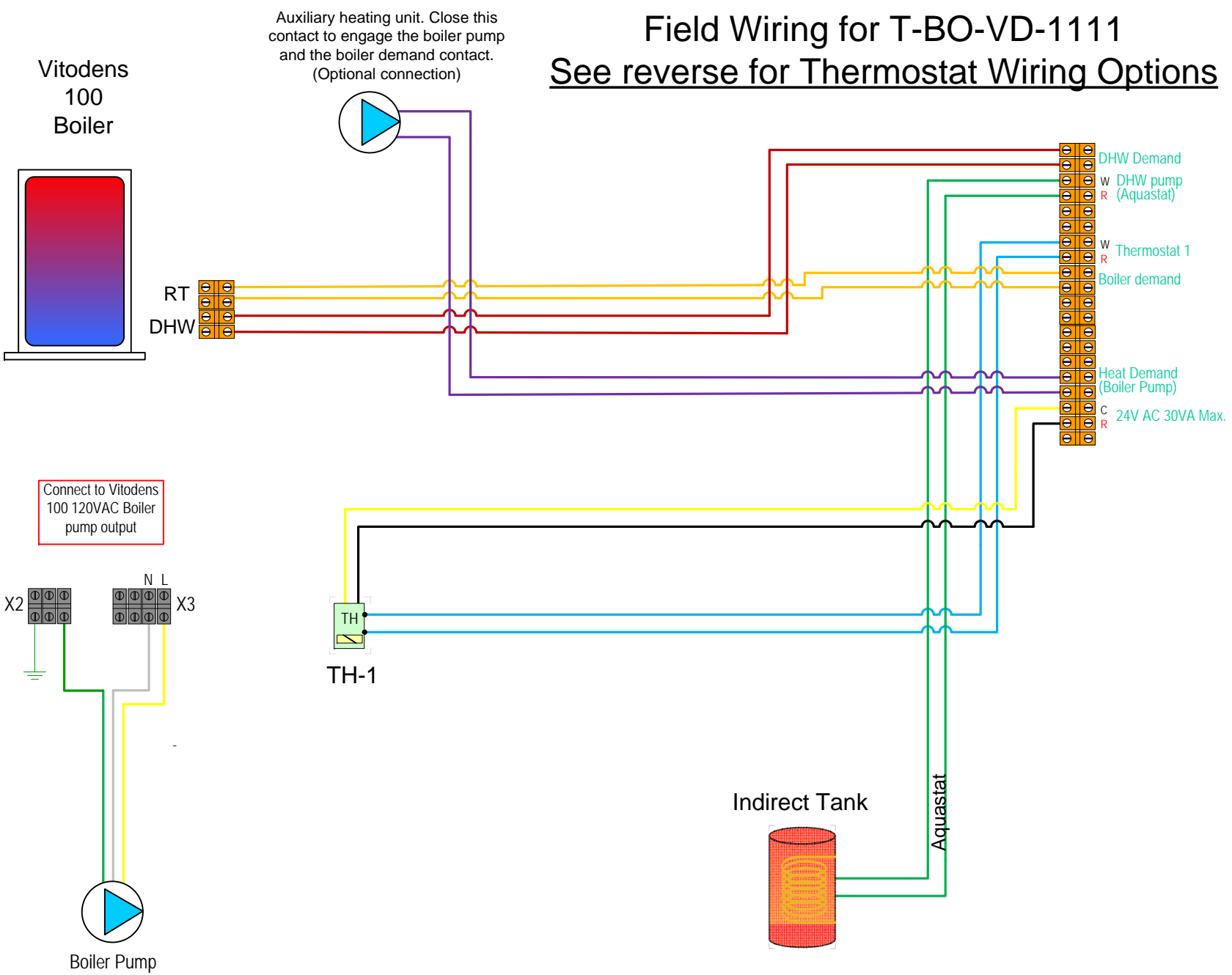


**Title**  
T-BO-VD-1111  
  
1DHW  
1Low Temp  
1 Injection  
Take-off  
Zone

**Date:**  
2012

**Drawn:**  
TH

**File No:**  
120215001



Auxiliary heating unit. Close this contact to engage the boiler pump and the boiler demand contact.  
(Optional connection)

Vitodens  
100  
Boiler

RT  
DHW

DHW Demand  
W  
R  
DHW pump  
(AquaStat)  
  
W  
R  
Thermostat 1  
Boiler demand  
  
W  
R  
Heat Demand  
(Boiler Pump)  
  
C  
R  
24V AC 30VA Max.

Connect to Vitodens  
100 120VAC Boiler  
pump output

X2  
N L  
X3

TH  
TH-1

Indirect Tank

Aquastat

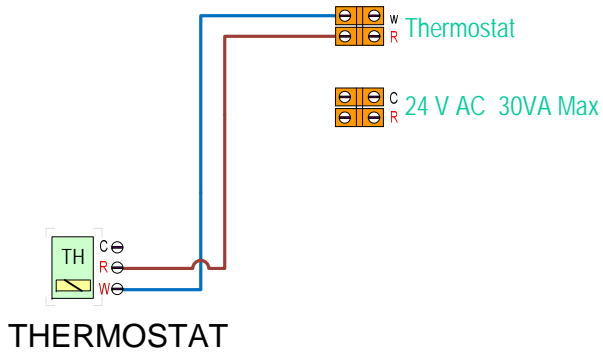
Boiler Pump

# Thermostat Wiring Options

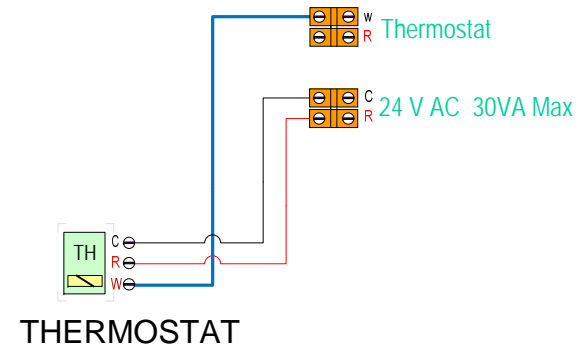


Notes:  
 This is not an engineered drawing and does not necessarily include all the components for an entire system. It is intended as a representative sample of how the control may be wired for a sample application. It is the responsibility of the installer to seek professional advice and/or install the the system to meet all necessary codes for the jurisdiction of the actual installation.

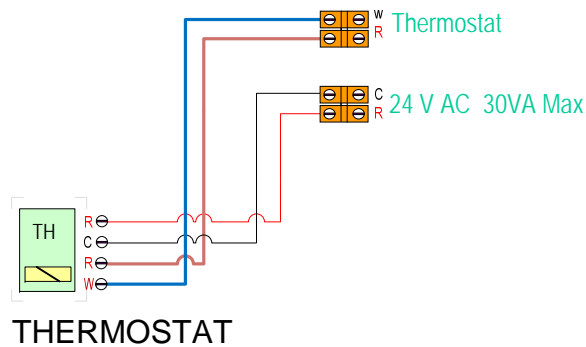
## 2 Wire Thermostat



## 3 Wire Thermostat



## 4 Wire Thermostat



Title

Date:

Drawn:

