

1 - 4 Zone Hydronic Heating Panels

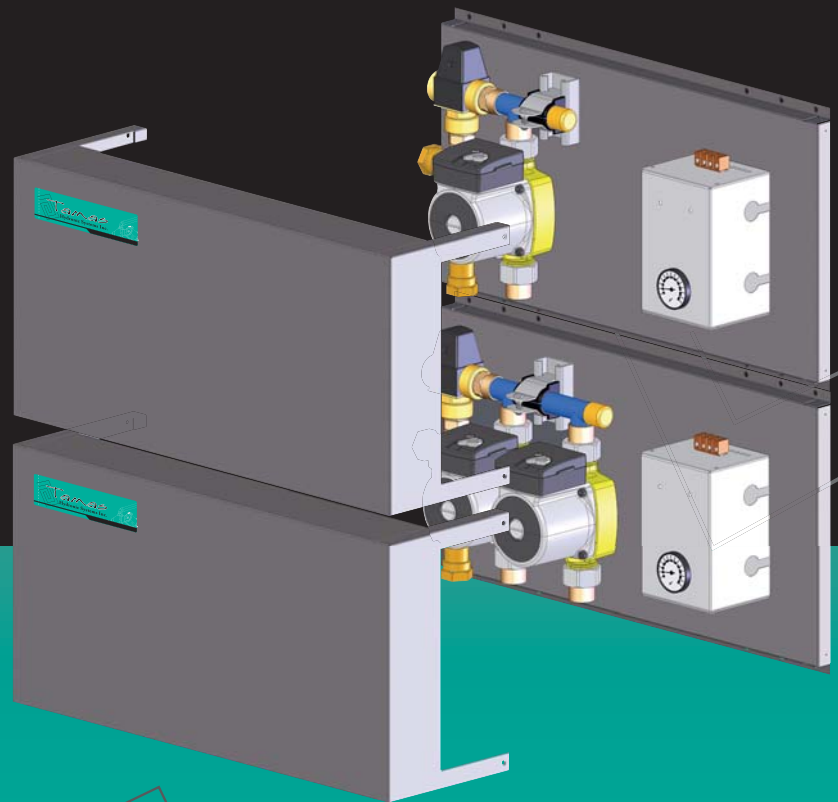
1 - 4 Zone Panels



1 - 4 Zone Panels

Tamas 1 - 4 zone panels are ideal for distributing hydronic heat to residences. Each panel contains a thermostatic mixing valve, zone pump and a comprehensive control system.

- Pre-designed and assembled for optimum performance
- Function and pressure tested
- Wired for trouble-free installation
- Packaged, compact design
- Expandable capabilities
- Certified to CSA C22.2 No. 14-95
- Conforms to UL Standard 598A



Tamas
Hydronic Systems Inc.

1 - 4 Zone Hydronic Heating Panels

Options

Tamas 1 - 4 zone panels are suitable for a variety of applications. Panels run off of timer logic, exhibit a pump exercise feature and are managed by a microprocessor.

Each panel contains a remote temperature indicator, auxiliary contacts (for boiler demand/zone demand), and thermostat contacts for the respective number of zones.

All systems are equipped with a three speed adjustable pump (with composite housing), as well as a thermostatic mixing valve. Systems are approved for DHW distribution. The 1-3 zone panels are 1/2 sized while the 4 zone model is delivered on a full panel.



Board Identification

T-LO-TP-0010

T-LO-TP-0020

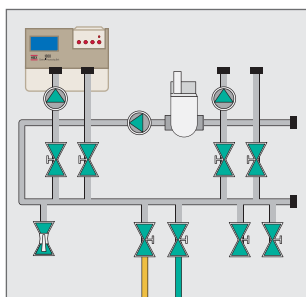
1 2 3 4 5 6 7 8

1	Tamas Board
2	Low Temp Injection (Board Type)
3	Thermostatic Valve (Mixing Method)
4	Zone Pump (Dispersion Method)
5	Not Applicable (BTU Output)
6	Not Applicable (High Temp Zones)
7	Low Temperature Zones (Max 2)
8	Not Applicable (Injection Zones)

System Specifications (4 Zone)

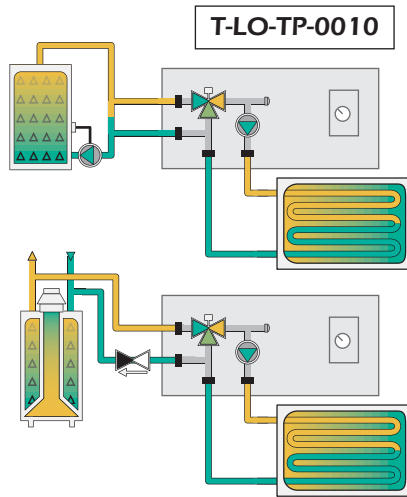
Dimensions (inch)	L-22.04 H-26.06 W-12.0
Dimensions (mm)	L-560 H-662 W-305
Panel Enclosure	Powder Coated Steel
Max Operating Temp.	90 °C / 194°F
Max Operating Pressure	6 Bar / 87 PSI
Max Ambient Temp.	50°C / 122°F
Power Supply	120V 15A

System Specifications

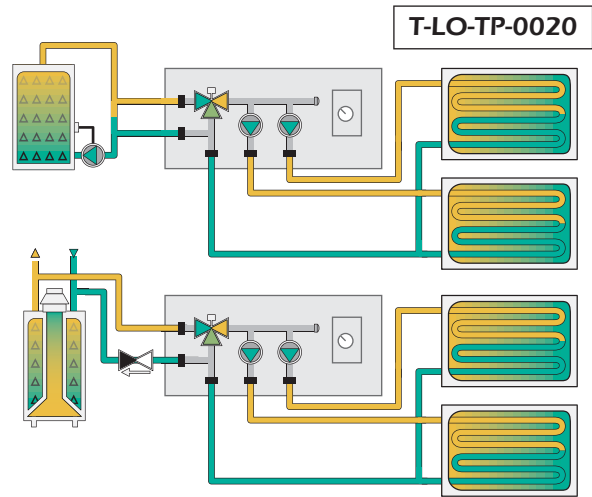


T-BO-00-2112

T-LO-TP-0010



T-LO-TP-0010



T-LO-TP-0020

Made in Canada

