

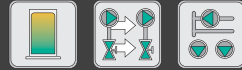


T A M A S H Y D R O N I C S



T-BO-V0-1030

Specialty / Condensing Boiler Panel



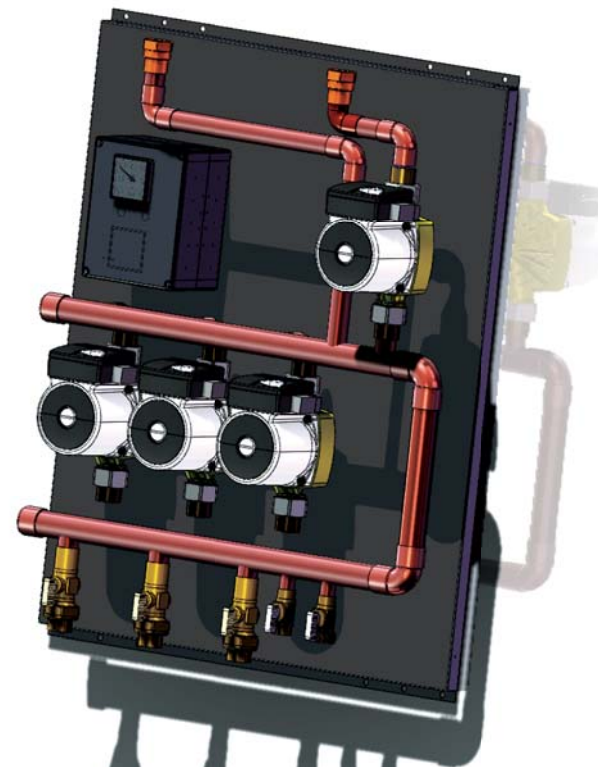
T-BO-V0-1030: Specialty/ Condensing Boiler Panel

The Tamas T-BO-V0-1030 is specifically designed to accommodate the Viessmann®, Vitodens 100™ wall-mounted modular condensing boiler. This specialty panel is capable of handling BUT loads between 80,000 and 100,000. All panels include a control terminal, expansion tank and hose bib connections, as well as boiler connection unions.

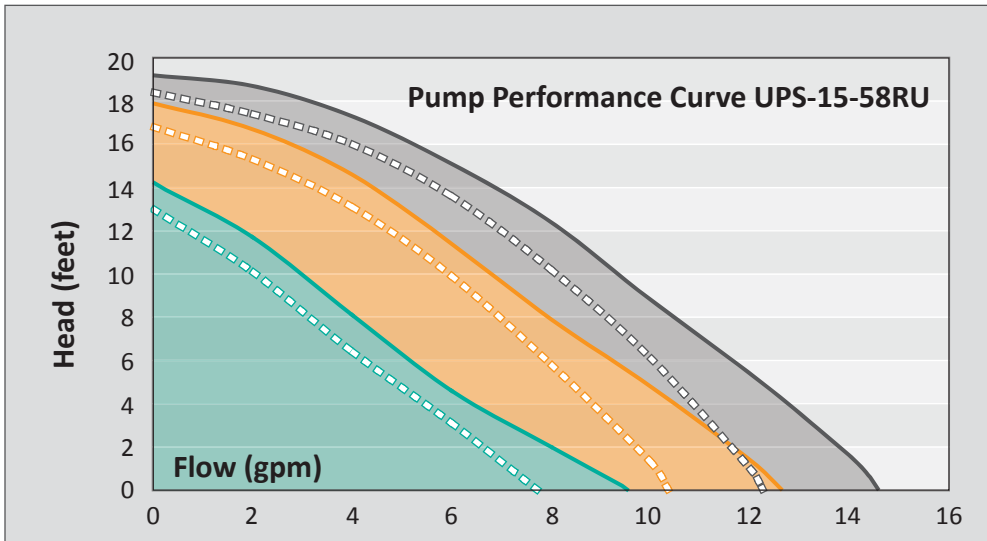
The system can be configured with or without domestic hot water priority. A maximum of four zone pumps may be incorporated (three when domestic hot water priority is included). System flow rate and head is managed via the three speed zone pumps (Grundfos® 15-58).

A zone pump may also be replaced by an injection mixing pump to distribute tempered water to the heating or cooling output device. Additional peripheral panels may be connected to the T-BO-V0-1030 to accommodate for larger applications requiring multiple zones or auxiliary devices or setpoints.

Dimensions (")	W-22.04" H-26.06" D-12.0"
Dimensions (mm)	W-560mm H-662mm D-305mm
Panel Enclosure	Powder Coated Steel
Flow Range	0 - 64 GPM
Head Range	0 - 30 feet
Max. Temperature (Op)	95 °C / 203°F
Max. Pressure (Op)	10 Bar / 145 PSI
Max. Temperature (Am)	50°C / 122°F
Power Supply	120V 15A
System Features and Benefits	
<ul style="list-style-type: none">• Pre-designed and assembled, trouble-free wiring• Function, pressure, and electrical tested• Packaged, compact design, expandable capabilities• Certified to CSA C22.2 No. 14-95• Conforms to UL Standard 598A	



		AMPS	WATTS	HP	Capacitor
115V	Spd. 3	0.75	87	1/25	10mF/180V
	Spd. 2	0.66	80	1/25	10mF/180V
	Spd. 1	0.55	60	1/25	10mF/180V



- First Speed
- Second Speed
- Third Speed
- Check Valve Adjustment

Available Panel Configurations:

With Domestic Hot Water:

- **T-BO-VD-1101:** Vitodens 100 specific, boiler pump, DHW, 1 injection pump
- **T-BO-VD-1111:** Vitodens 100 specific, boiler pump, DHW, 1 zone pump, 1 injection pump
- **T-BO-VD-1121:** Vitodens 100 specific, boiler pump, DHW, 2 zone pumps, 1 injection pump
- **T-BO-VD-1131:** Vitodens 100 specific, boiler pump, DHW, 3 zone pumps, 1 injection pump

Without Domestic Hot Water:

- **T-BO-V0-1011:** Vitodens 100 specific, boiler pump, no DHW, 1 zone pump, 1 injection pump
- **T-BO-V0-1021:** Vitodens 100 specific, boiler pump, no DHW, 2 zone pumps, 1 injection pump
- **T-BO-V0-1030:** Vitodens 100 specific, boiler pump, no DHW, 3 zone pumps
- **T-BO-V0-1031:** Vitodens 100 specific, boiler pump, no DHW, 3 zone pumps, 1 injection pump
- **T-BO-V0-1040:** Vitodens 100 specific, boiler pump, no DHW, 4 zone pumps

