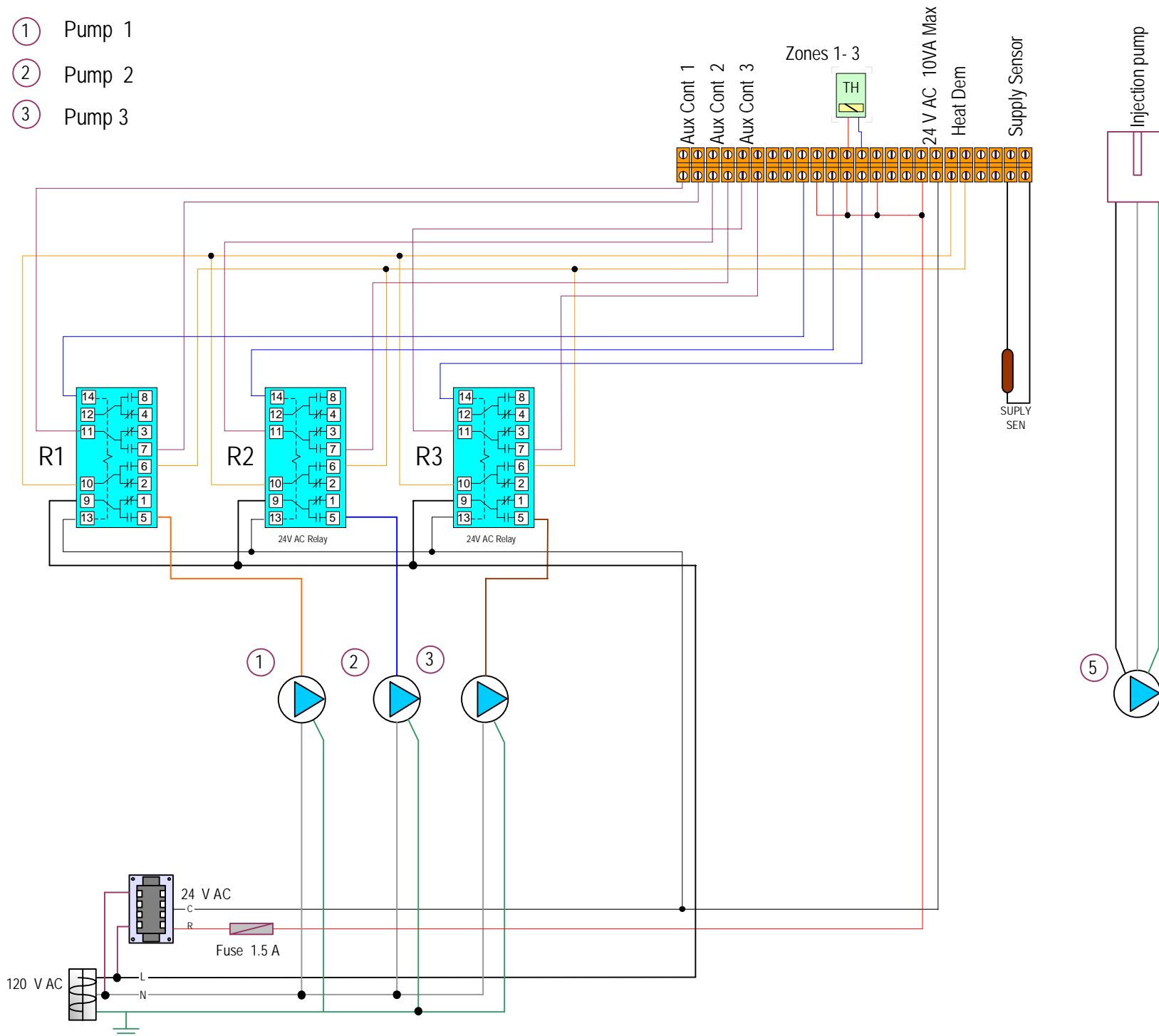


- ① Pump 1
- ② Pump 2
- ③ Pump 3



**Tamas**  
Hydronic  
systems Inc.

T-LO-IP-0030  
Low temperature  
Injection 3 zone  
pump mixing board  
Wiring Diagram

Title:  
T-LO-IP-0030  
Electrical Schematic  
Drawing.

DWG No: 06030703

Designed BY: TH

Scale : NS

Date : 7 March 2006