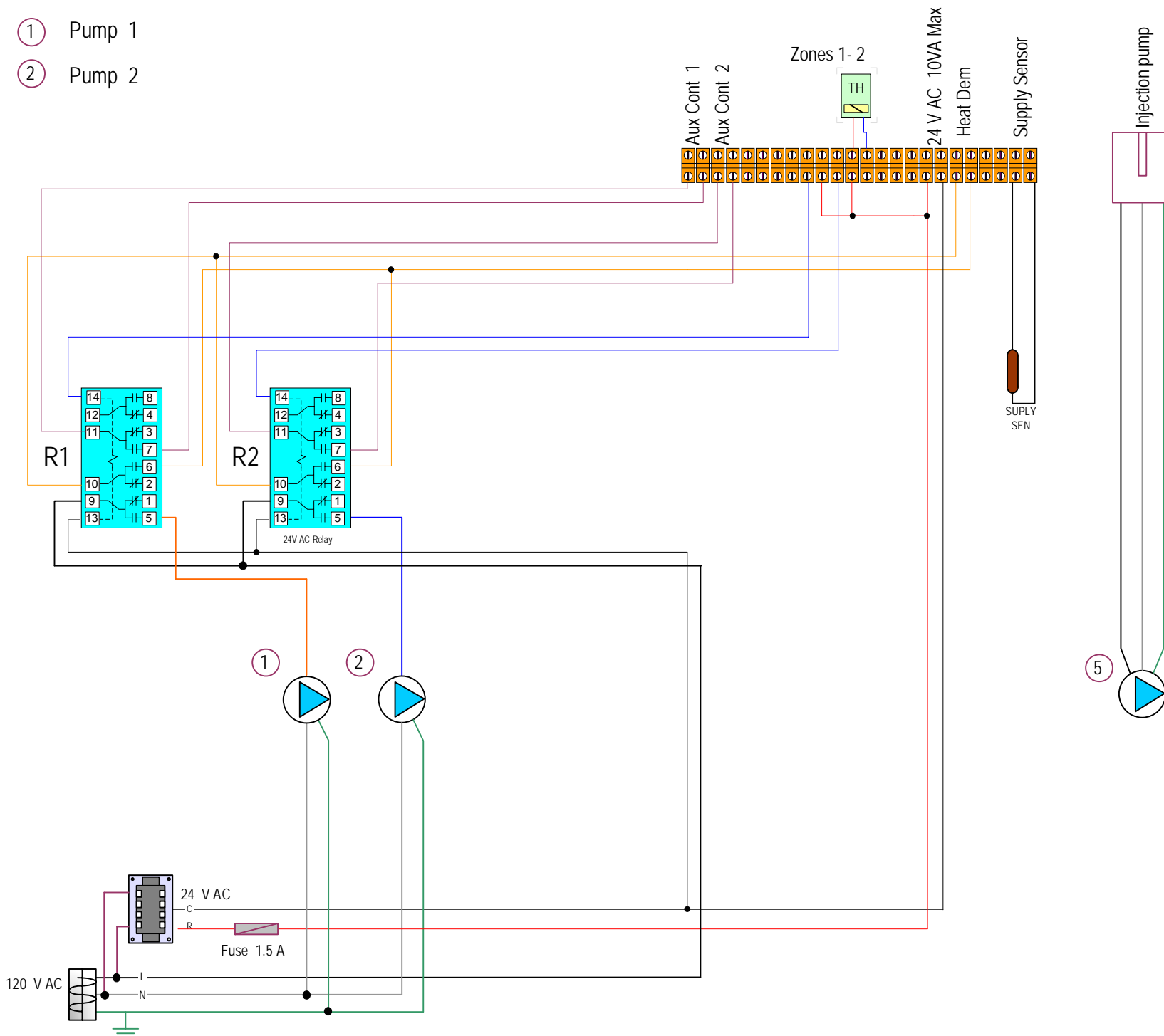


- ① Pump 1
- ② Pump 2



Tamas
Hydronic
systems Inc.

T-LO-IP-0030
Low temperature
Injection 2 zone
pump mixing board
Wiring Diagram

Title:
T-LO-IP-0020
Electrical Schematic
Drawing.

DWG No: 06030704

Designed BY: TH

Scale : NS

Date : 7 March 2006