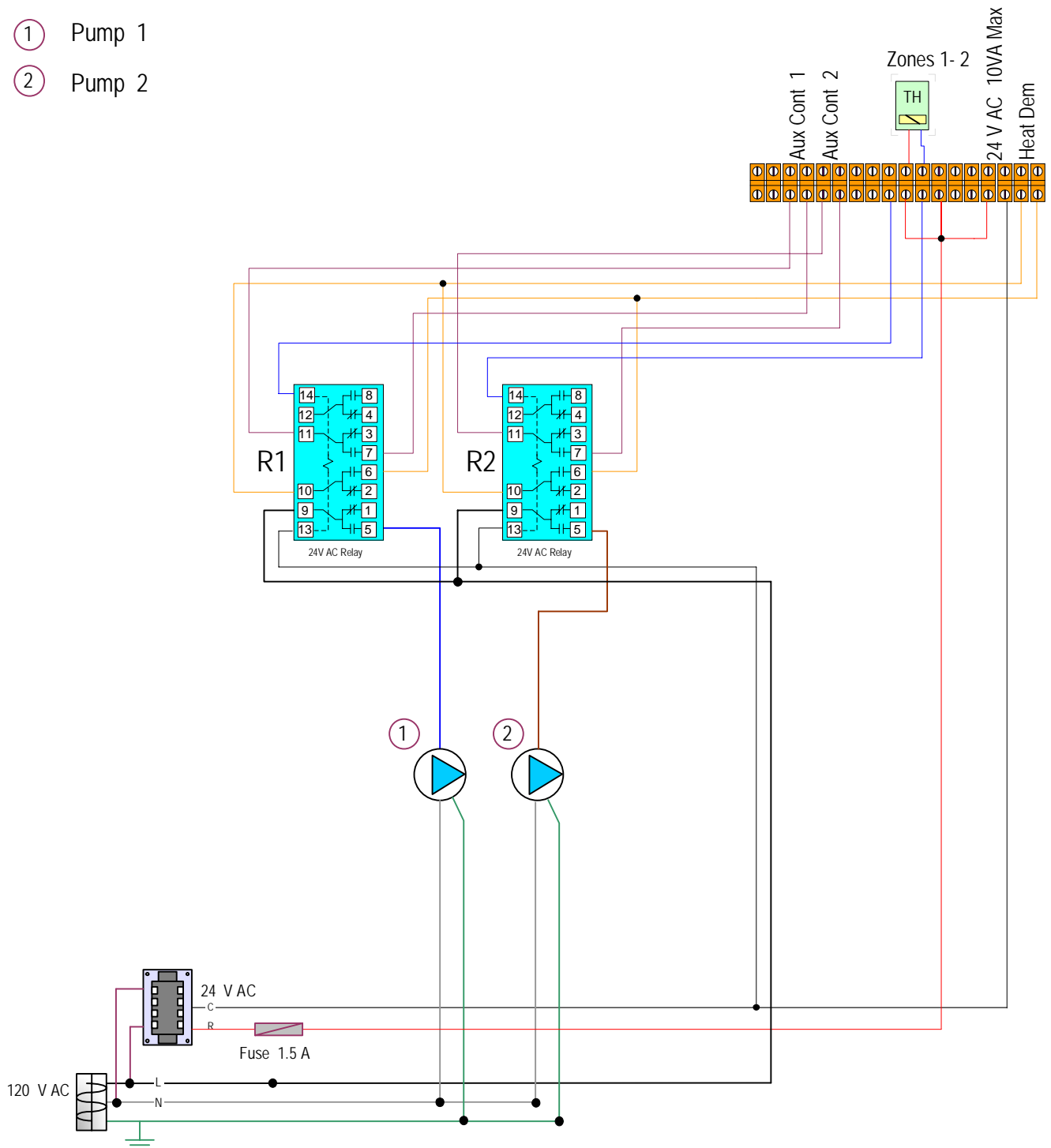


- ① Pump 1
- ② Pump 2



**Tamas**  
Hydronic  
systems Inc.

T-EX-00-2112  
Expansion Board  
Wiring Diagram

Title:  
T-EX-00-2112  
Electrical Schematic  
Drawing.

DWG No: 06030701

Designed BY: TH

Scale : NS

Date : 7 March 2006